
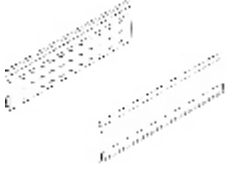





























04.12.2020

BOXIDE L450 R+L	Z37H418S.E		1 200,00
BOXIDE L500 R+L	Z37H468S.E		1 400,00
HF	(HGR) (20) 20F8001		170,00
HF	(HGR) (20) 20F8001		170,00
HF	20F8001 L		180,00
HF	20F8001 R		180,00
HF	480-570 () 20F3201.01		1 300,00
HF	560-710 () 20F3501.01TE-HEB V40 NI		1 350,00
HF	700-900 () 20F3801.01		1 400,00



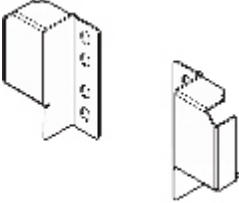
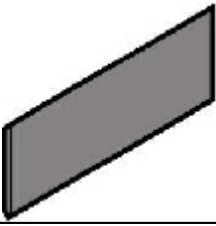
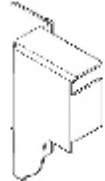
HF	760-1040 () 20F3901.01		.	1 450,00
HF22	/ LF=2.600-5.550 (SERVO-DRIVE) 20F2201.05		.	1 600,00
HF22 20 ZN	/ LF=2.600-5.550 (SERVO-DRIVE) 20F2201.05KR AFTSP		.	2 000,00
HF25 20 ZN	/ LF=5.350-10.150 (SERVO-DRIVE) (20F2501.05KRAFTSP		.	2 100,00
HF28	/ LF=9000-17,250(SERVO-DRIVE) 20F2801.05		.	2 300,00
HK	20 8001.02 L		.	200,00
HK	20K8001.02 R		.	200,00
HK	blum 20 9001. L.L		.	60,00
HK	blum 20K9001.BL.R		.	60,00
HK	/ KM 0750-2500 (SERVO-DRIVE) (20K2501.05		.	1 800,00

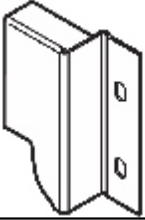


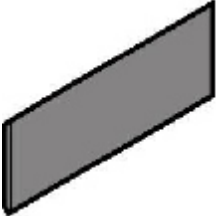




HK	/ KM 3200-9000	SERVODRIVE 20K2901.05		2 800,00
HK	/ TIP-ON KM 0750-2500	20K2501T		1 800,00
HK	/ 1500-4900	SERVODRIVE 20K2701.05		1 800,00
HK-S		20K8A01		100,00
HK-S		20K8A01 ABD L V40SEIW		150,00
HK-S		20 8 01 R		100,00
HK-S		20K8A01 ABD R V40SEIW		150,00
HK-S	/ (C) c TIP ON	20K2C01T		900,00
HK-S	/ () 20 2 01.02			900,00
HK-S	/ () c TIP ON	20K2E01T		900,00
HK-S	/ () (40) 20 2C01.02	KRA FTSP 40 ZN		850,00
HK-XS		AVENTOS, (200) 20K5101		80,00

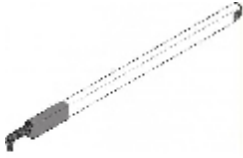
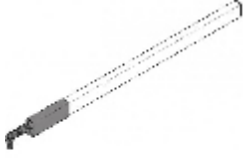
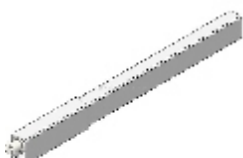
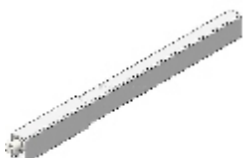


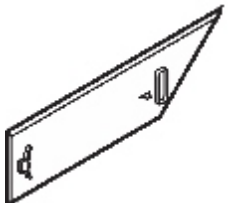
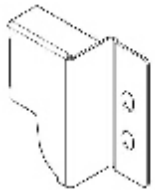
HK-XS	20K4101			80,00
HK-XS	/ 500-1500 20K1301			1 000,00
HK-XS	/ TIP-ON 500-1500 20K1301T			1 100,00
HK-XS	/ TIP-ON, 800-1600 20K1501T			1 100,00
HL 25	SERVODRIVE 20L2501.05			1 600,00
HL 27	SERVODRIVE 20L27017.05			1 700,00
HL	20 20L8001.02.L			100,00
HL	20L8001.01.L (. .)			130,00
HL	20 20L8001.02 R			100,00
HL	20L8001.01.R (. .)			130,00
HL	200 20Q003A01			30,00


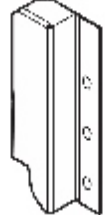
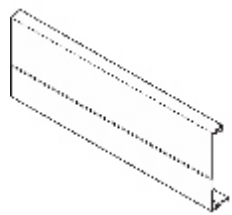



HL	=450-580	20L3901.06.L			1 300,00
HL	=450-580	20L3901.06.R			1 300,00
HL			L=1061	20Q1061UA	800,00
HS		20 20S8001.L			100,00
HS		20 20S8001.R			100,00
HS			20Q0003.03		15,00
HS		20S3501.06L			1 450,00
HS		20S3501.06 R			1 450,00

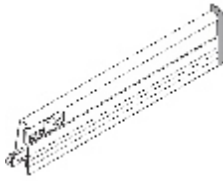

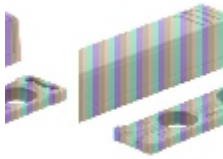




HS	/ 4.0-8.0	SERVODRIVE 20S2G01.05		.	1 900,00
HS	/ 6-13.5	SERVODRIVE 20S2H01.05		.	1 900,00
HS		1061 20Q1061UN		.	550,00
METABOX	450	ZRG.421V.ID.CW/C			100,00
METABOX	450*150	320H4500C		.	600,00
METABOX	450*150	320H4500C		.	600,00
METABOX	450*86	320M4500C			450,00
METABOX blumotion	metabox	Z70.0320			270,00
METABOX	BLUM	ZAA.3500.BL		.	10,00








METABOX	R+L ZSF.1700		60,00
METABOX	- H(150), . 25 , -450, , 320H4502C L		0,00
METABOX	- H(150), . 25 , -450, , 320 4502C R		0,00
METABOX	ZRR.8000.01		35,00
METABOX	, . ,25 , 450 , 320M4501 L		0,00
METABOX	, . ,25 , 450 , 320M4501 RE		0,00
MOVENTO	T51.7601.L		120,00
MOVENTO	T51.7601.R		120,00
MOVENTO	450 , 40 , TIP ON 760H4500M		1 900,00
MOVENTO	450 , 40 , TIP ON 760H4500T		2 500,00
MOVENTO	TIP-ON L3 350-750 / (20) T60L7540 TOB		1 100,00
TANDEMBOX	450 R+L 358N4502S		0,00
TANDEMBOX Antaro	Z36.00804		10,00
TANDEMBOX Antaro	Z36.00801		10,00
TANDEMBOX Antaro	Z36D00802 R		45,00
TANDEMBOX Antaro	Z36D00802 L		45,00
TANDEMBOX Antaro	() . . ZRR.5200		195,00
TANDEMBOX Antaro	Intivo BLUM		15,00
TANDEMBOX Antaro	D . R+L . (50) Z30D000S HO-R L+R		220,00
TANDEMBOX Antaro	N . R+L . Z30N000S.04		150,00
TANDEMBOX Antaro	. R+L . (50) Z30M000S.04HO-RL		110,00




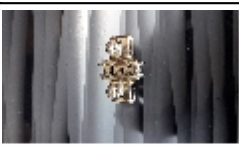



TANDEMBOX Antaro Z30M000S.04HO-RV50SEIW	. R+L	(50)		110,00	
TANDEMBOX Antaro	1	. R+L	(50) Z30B000S.04		110,00
TANDEMBOX Antaro HO-RW MP W	1	. R+L	(50) Z30C000S		250,00
TANDEMBOX Antaro		T51.1700.04 L		50,00	
TANDEMBOX Antaro		T51.1700.04 R		50,00	
TANDEMBOX Antaro SEIW	450	, .R+L	378M4502SA Z L+R V1		1 450,00
TANDEMBOX Antaro V20SEIW	500	, .R+L	378M5002SA R+L		1 550,00
TANDEMBOX Antaro	450	, .R+L	358M4502SA Z V1 SEIW		1 450,00
TANDEMBOX Antaro V1 SEIW	N 450	, .R+L	358N4502SA Z R+L		1 300,00
TANDEMBOX Antaro R+L V1 SEIW	N 500	, .R+L (16)	378N5002SA Z		1 550,00

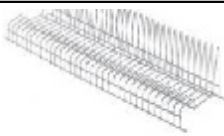






TANDEMBOX Antaro ZRG.387RSIC SW L	450 ()		250,00
TANDEMBOX Antaro ZRG.387RSIC SW R	450 ()		250,00
TANDEMBOX Antaro ZRG.437RSIC SW L	500 ()		260,00
TANDEMBOX Antaro ZRG.437RSIC SW R	500 ()		260,00
TANDEMBOX Intivo SEIW	500 , .R+L 378M5002SA Z R+L V1		1 550,00
TANDEMBOX Tip-on blum, TOB R+L V1R735	S1,NL=270-349m,10-20 , - T60B3130		950,00
TANDEMBOX	500 ZRG.446V.IC		150,00
TANDEMBOX WELLE V 40 S	Tip-on 1400 , .6 , 1118 T60L1118W		300,00
TANDEMBOX	R+L ZAA.230N.BL		18,00
TANDEMBOX	"N" R+L Z30N000S.04		150,00

TANDEMBOX	D R+L	(50)	Z30D000S HO R R+L V50R906			220,00
TANDEMBOX	R+L,		Z30M000S.04			120,00
TANDEMBOX	R+L	2	Z30D000S			220,00
TANDEMBOX	R+L		Z30B000S			120,00
TANDEMBOX	R+L	c 1	Z30B000S.04			110,00
TANDEMBOX MP ZN	blumotion 30	, 450	,R+L 578.4501B K R+L			1 100,00
TANDEMBOX MP ZN	blumotion 30	, 500	,R+L 578.5001B K R+L			1 200,00
TANDEMBOX			INSERTA ZSF.3902			100,00
TANDEMBOX			ZIF.70M0 FRO R+L V1R737		0	450,00
TANDEMBOX			ZSF 3502.02FROB V500 BL			50,00
TANDEMBOX			Z31A1081A			800,00
TANDEMBOX			ZIF.7007			450,00
TANDEMBOX			ZRG.000E3			10,00
TANDEMBOX	450	R+L	378M4502S			1 300,00
TANDEMBOX	450	R+L	(20) 378N4502S			1 500,00

TANDEMBOX	500	R+L	(20) 378N5002S		.	1 600,00
TANDEMBOX	500	R+L	(20) 378M5002S		.	1 400,00
TIP ON TIP-AP 250R736	,	,	-(20/32) 956A1201		.	150,00
TIP ON TIP-AP 250R736	,	,	-(20/17) 956.1201		.	100,00
TIP-ON	955.1008	HPL-KL	250 BL		.	30,00
TIP-ON	955.1008D	HPL-DR	250 NI		.	20,00
TIP-ON TIP-ON 250R 736	-	956	1002		.	430,00
TIP-ON TIP-ON 250SEIW	.	956A1002			.	0,00
TIP-ON 250SEIW	956.1002	TIP ON			.	300,00
TIP-ON 956.1002TIP-ON 250R736	-				.	300,00
	BLUM (HF*HS*HL)	.	20F9001.BL		.	50,00
	.HS*HK*HL	20S4201			.	100,00
	Clip 110	(86 .)	70T3553		.	35,00
. BLUMOTION	170 973	6000			.	160,00

70.1503.BPABD PR1000 NI	CLIP TOP (10,00
	1/2 . 107,120 . 70.1663		10,00
	170 . 973A6000		160,00
1000 NI	Clip top B(. 70T3504 TO-AB		15,00
CLIP top BLUMOTION 110	71B3550		230,00
CLIP top BLUMOTION 110	(250) 71B3750		260,00
CLIP top BLUMOTION 110	71B3650		260,00
CLIP top BLUMOTION	79B9550		430,00
CLIP top 110	, , 70T3550.TL		150,00
Clip +45°	, 78 5550		240,00
Clip 120°	70T5550.T		160,00

Clip 170 71T6550		.	250,00
Clip t. 110 . . . 71T3550 MB V250 NI		.	140,00
Clip (50) 78T9550.TL		.	300,00
. Clip top 78Z5500T			290,00
CLIP top BLUMOTION +45 79B9658			320,00
Clip Expando 174E6100.01			30,00
Clip 173L6100			25,00
Clip () 177H3100E		.	65,00
250 955.1008D		.	30,00
(40) FLVO1SP		.	150,00
700 () SGV70VCP			1 200,00

800	() (20) SGV80VM20CP			1 200,00
900	() (20) SGV90VM20CP			1 300,00
700	() SGV70PCP			1 100,00
800	() (20) SGV80PM20CP			1 200,00
900	() SGV90PM20CP			1 300,00
600	VA600			1 100,00
700	(20) VA700			1 300,00
800	VA800M20			1 400,00
900	VA900M20			1 500,00